

Next Generation Energy Efficient LED Lighting



NetZero USA is a Single Source

**Manufacturer, Electrical Contractor, In-house Financing,
Turnkey Project Installations, Industry Best Warranties**

South Carolina / North Carolina / Virginia / Indiana / Georgia /
Tennessee / Florida / Texas / Kentucky / Alabama / Colorado

netZero^{usa}[®]

LED LIGHTING SOLUTIONS

NetZero USA is a “Single Source” Provider of
Advanced LED Lighting Solutions

NetZero USA:

- Is a Global LED Lighting manufacturer.
- Has an in-house Licensed Electrical Contractor Division.
- Provides “direct” product only purchases or Turn-Key project installations.
- Has the **BEST WARRANTIES** in the industry (with no exclusions & no OEM pass throughs).
- Provides **ON-SITE WARRANTY** (when NZUSA installs a project) through the NZUSA Operations and Maintenance Division.
- Has both “New Construction” fixtures and “Retrofit” LED solutions.
- Provides complete lighting energy audits at **NO COST**.
- Provides a written **“PERFORMANCE GUARANTEE”**.
- Has an in-house Finance Department for finance solutions to avoid any out-of-pocket cost.



Next Generation LED Lighting Retrofits

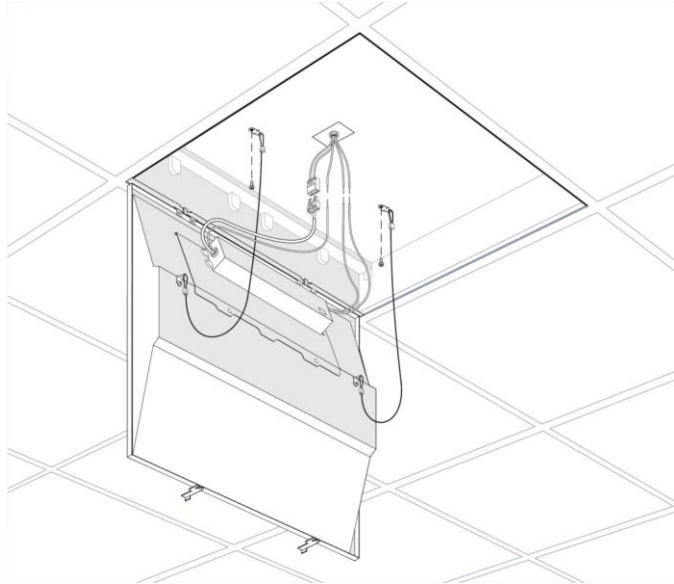
“Below-the-ceiling” LED Lighting Retrofit Panels and Strip Kits



- Below the ceiling installation
- Avoids above-the-ceiling work that might release contaminants
- Replaces damaged housings, cracked or discolored lenses, scratches, yellowing of the reflector, peeling paint and rusted or broken components
- Eliminates dust buildup and easy to clean
- Flat Panel & Center Basket options
- Flexible with on-board switching for 9 different color and wattage options
- 3 on-board wattage options (23W, 30W, 36W)
- 3 on-board color options (3500K, 4000K, 5000K)
- Dimmable (wired & wireless)
- Best warranties in the industry
- Performance guarantee
- Product only or turnkey installation
- Eliminates 100% of maintenance cost
- No more lamps or ballast to replace
- Higher energy efficiency, longer life and the lowest failure rates in the industry
- LED Retrofit Kits & Panels are recommended by the U.S. Department of Energy

Buy Direct from the Manufacturer

NetZero USA provides retrofits and new fixture solutions for all your lighting needs, both inside and outside.



**NZUSA is a Single Source, Providing:
Product, Design, Installation, Financing, Warranty**

NetZero USA is an End-To End Provider: The Manufacturer, a Licensed Electrical Contractor and Single Source of Responsibility

Product / Design / Installation / Financing / Warranty On-site

(NetZero USA warrants 100% of all components / no warranty exclusions / no pass-through OEM warranties)



Participating Trade Ally



Smart Saver®
Business

NetZero USA is a Duke Energy Trade Ally and approved "Mid-Stream" and "SmartPath" contractor. These certifications allow NZUSA to work closely with Duke Energy to provide the highest levels of rebates and savings to avoid any or most out-of-pocket cost.



**Dominion
Energy®**

NetZero USA is a Dominion Energy Trade Ally. This certification allows NZUSA to work closely with Dominion Energy to provide the highest levels of rebates and savings to avoid any or most out-of-pocket cost.

SECTION 179
QUALIFIED

netZerousa®
FINANCIAL DIVISION

**WELLS
FARGO**

The NetZero LEASING PROGRAMS powered by Wells Fargo can design Leasing solutions for GUV installations that avoid any up-front or out-of-pocket cost

- No Closing Cost / \$1.00 Buyout
- No Down Payment
- Low Monthly Payments
- 36, 60, 72 & 84 Month Terms
- Non-Encumbering Equipment Lease
- Material & Installation
- Tax-Free Non-Appropriated Lease Purchase Agreements Available



Contact: Jerry McCormick @ (919) 414-3672 or jerry@personalsafetyatwork.com